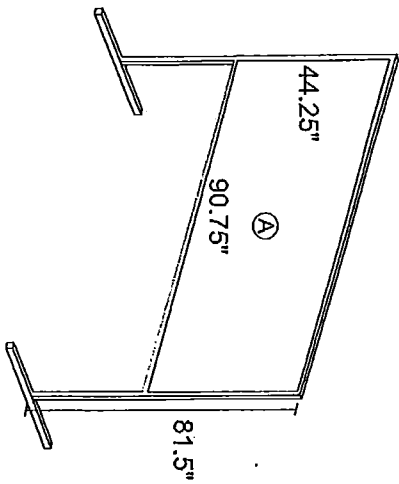


Poster Presentations

- Poster boards will be available for presenters to put up their poster presentations as of Friday, Feb 17 in the North and East Atriums, starting at 7:30am.
- Poster board dimensions – the boards allow for 45" wide posters. The height is 44.25" or up to 81" if your poster hangs off the board. See a sketch of the board (two posters to a side). Your poster will be attached with push pins which will be provided.
- The location of your poster will be noted on each board in accordance with the corresponding number listed in the Program Agenda given out at registration.
- You will be required to be present at your poster presentation during the **Poster Session** (5:30pm to 7:00pm) on Feb 17.
- You must remove your poster by 5:30pm on Saturday, Feb 18th, as all poster boards will be dismantled by 6:00pm.

Posterboard



A. 4' x 7'10"

Usable space: 44.25" x 90.75"



1239 Bellamh NW Albuquerque, NM 87104
Fax: 505-243-9889 Web: www.cssdbq.com
email: sales@cssdbq.com

Handwritten notes: 2x4 and a circled 'A'.